

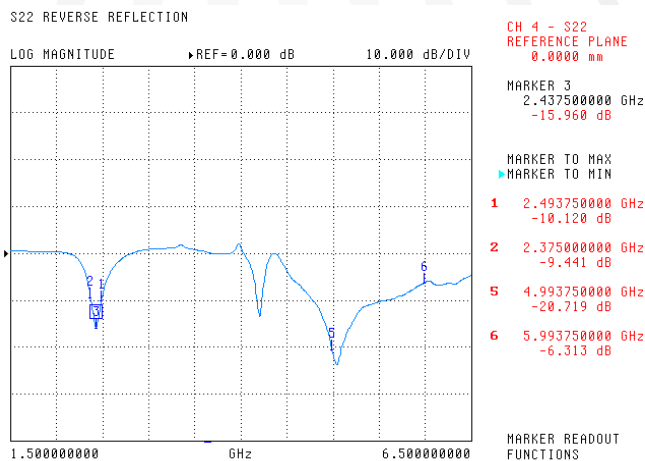
# AN1003 Multilayer Chip Antenna

**Application : 802.11 a/b/g/n Wireless LAN**

## Key Features

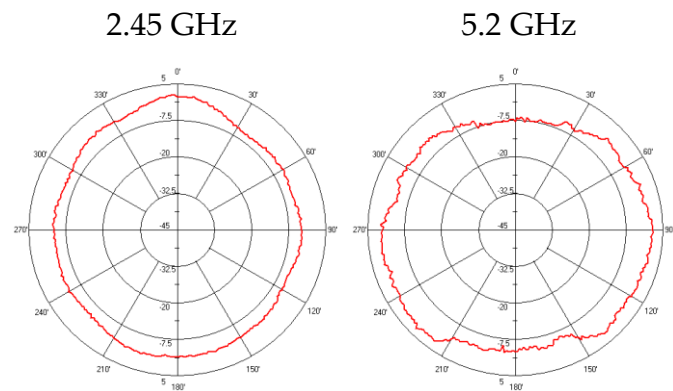
- Light weight and low profile  
10.3mm(L) × 3.0mm(W) × 1.6mm(H)
- Omni-directional in azimuth
- Lead (Pb) Free

## Return Loss

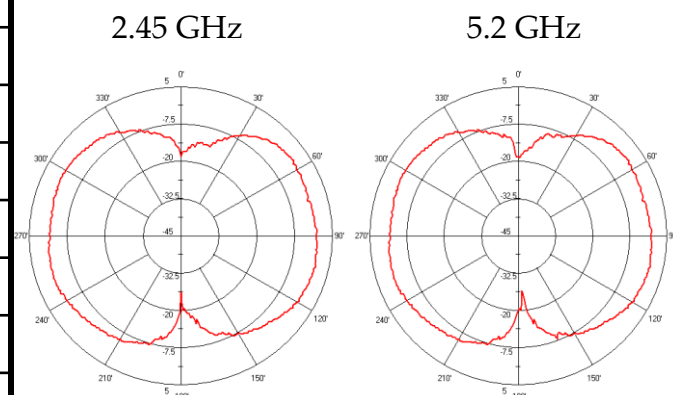


## Radiation Pattern

AN1003 H-Plane



AN1003 E-Plane



## Quick Reference Data

Item	Specification
Center Frequency	2.45 GHz & 5~6 GHz
Bandwidth (typ.)	70 MHz & 500 MHz
Peak Gain (typ.)	1 dBi
VSWR	2.0 (max)
Polarization	Linear
Pattern	Omni-directional
Impedance	50 Ω